

PRODUCT TECHNICAL DATASHEET

FIFTHY/230

230V AC 

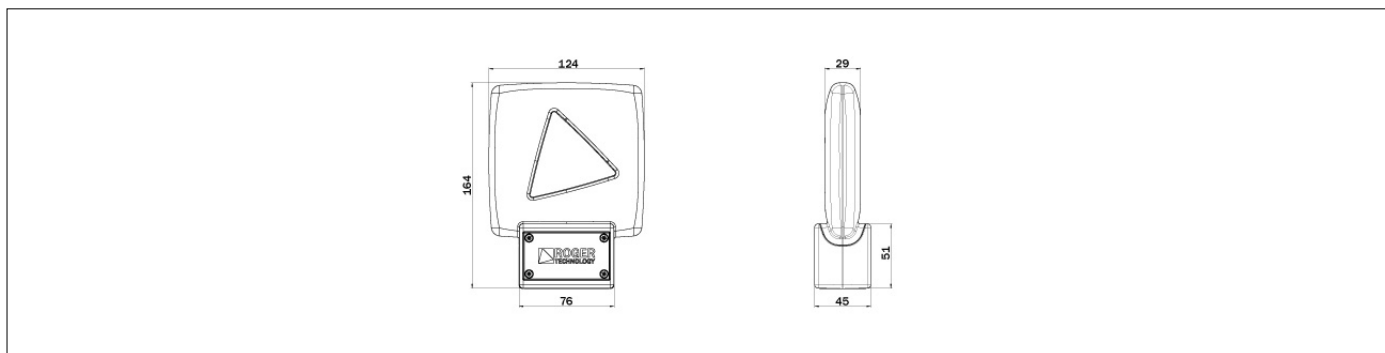


CODE	DESCRIPTION	PCS/PALLET
FIFTHY/230	LED flashing light series FIFTHY 230V - 115V with integrated antenna.	

PRODUCT TECHNICAL SPECIFICATIONS

Standard power	230V AC - 115V AC +/- 10%
Operating temperature	-20+55 °C
Protection level	IP55
Max flashing light charge	6,5W
Tuning frequency	433.920 MHz
Modulation	1Hz
Type of light	24 LED
Maximum dimension product in mm (L x W x H)	124 x 45 x 164
Product weight packed (Kg)	0,3

PRODUCT DIMENSIONS AND PREPARING FOR INSTALLATION



DIMENSIONS

PRODUCT ACCESSORIES



KT243

Fixing plate for flashing light
FIFTY series.